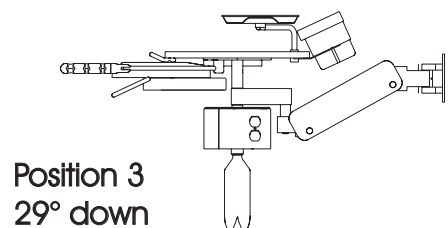
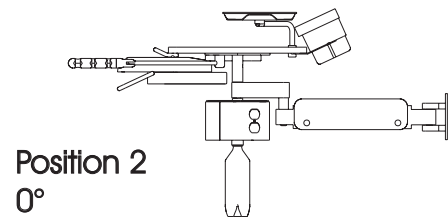
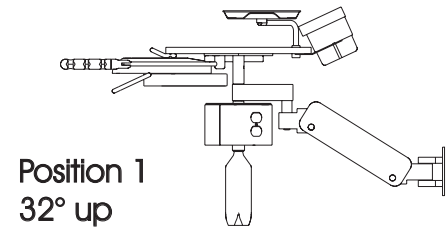
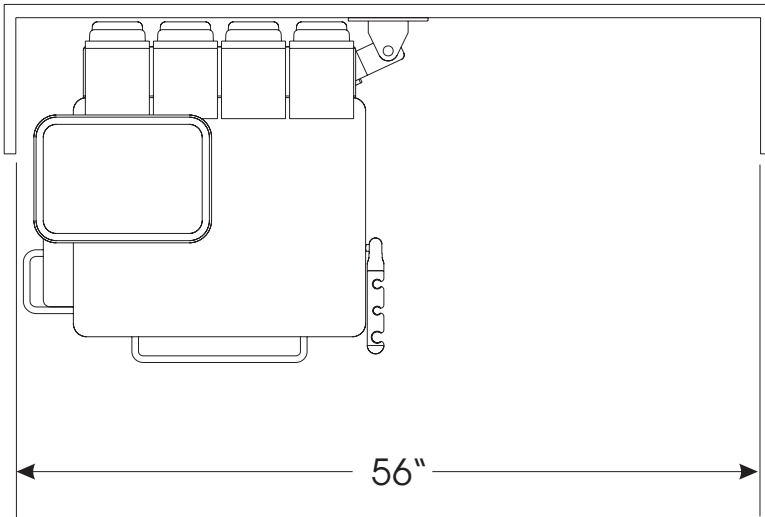


Dimension	Position 1	Position 2	Position 3
A	41 5/8"	35 3/8"	29 5/8"
B	37 1/8"	30 7/8"	25 1/8"
C	15"	8 3/4"	3"
D	47 1/2"	49 1/2"	47 7/8"
E	34 1/2"	36 1/2"	34 7/8"
F	40 1/2" max 25" min	40 1/2" max 25" min	40 1/2" max 25" min





Cabinet dimensions given are the minimum required dimension for the dual purpose system to be used for both left and right side operation.

Not adhering to these dimensions may result in the impairment of some and/or all of the versatility designed into this product.

